

INSTALLATION OF A VANITY

INSTALLATION AND ADJUSTMENT



1. Hang the unit on the wall

2. Level the unit, adjusting the hanger if necessary
 *Level the unit once fitted to the wall

3. Adjustment of the PLAY drawer (full and partial extraction)

3.1 Unscrew the drawer from the runner **3.2 Adjust the height of the drawer** **3.3 Screw the drawer back on to the runner**

Aplicable for the Granada - Aqua - Box - Eleven - Vision - Midi - Verso collections

4. Adjustment of the IRON drawer (full extraction)

4.1 Adjust inclination **4.2 Lateral adjustment** **4.3 Height adjustment**

4.4 Remove the drawer: press the lower clip **4.5 Remove the drawer front: remove the screws and turn the screw behind the cover**

Aplicable for the Kyoto - Indico - Delta - Nomad - Icon - Arco - Bari collections

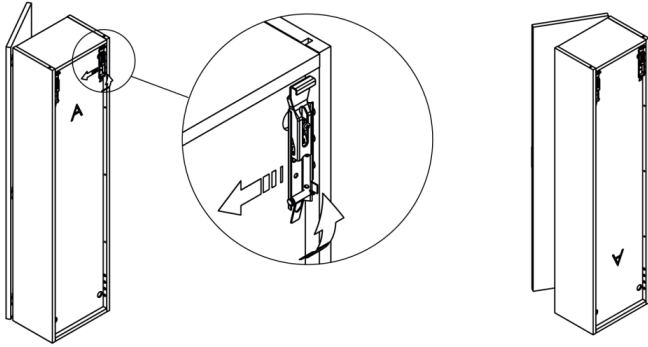
INSTALLATION OF A TALL UNIT

INSTALLATION AND ADJUSTMENT

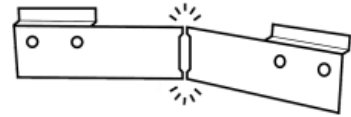


5. Installation of tall units (Traser hangers)

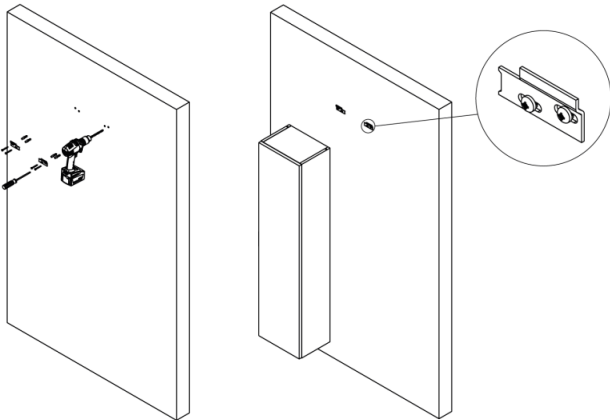
5.1 Choose the orientation of the door, where necessary change the position of the hangers



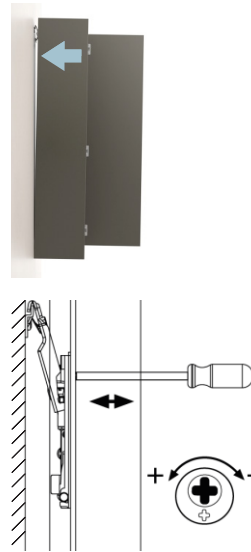
5.2 Separate the plates



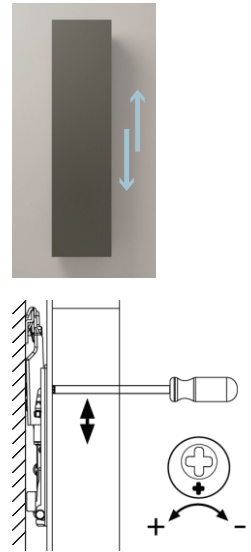
5.3 Adjust the screws to the desired height



5.4 Fix the unit to the wall



5.5 Adjust and level



6. Door regulation

