

QUADRO
TECHNICAL

QUADRO



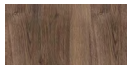
QUADRO TECHNICAL

Finish: Matt lacquered and laminate.

Structure: Metallic.

QUADRO FINISHES

Matt lacquered and laminated:



Niagara



Valenti



B-Ada

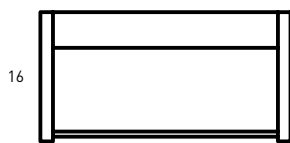


Ceniza

QUADRO DIMENSIONS

Wall hang structure for integrated basin

Depth 18 in



24-30-40

Wall hang structure for vessel basin

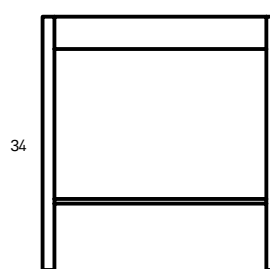
Depth 18 in



24-30-40

Floor standing structure for integrated basin

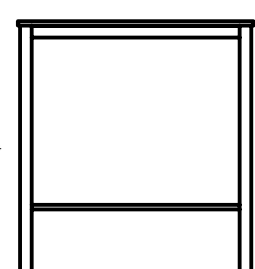
Depth 18 in



24-30-40

Floor standing structure for vessel basin

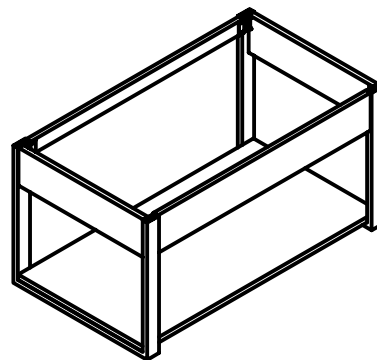
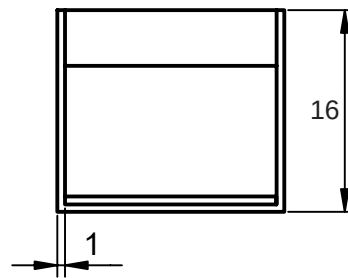
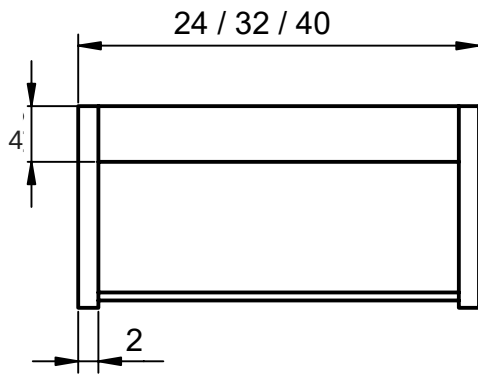
Depth 18 in



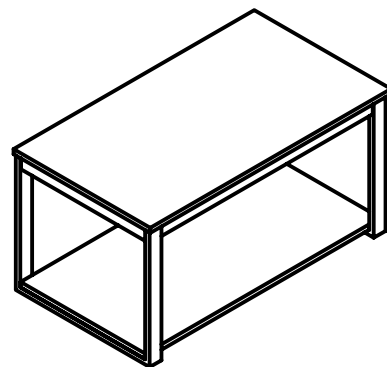
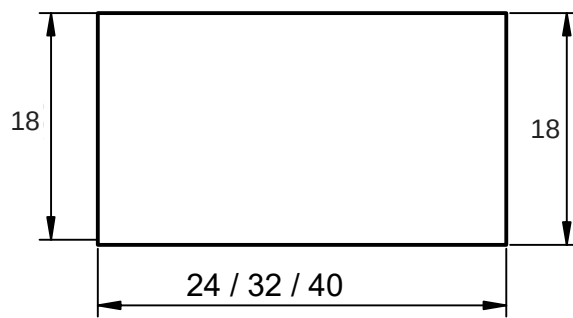
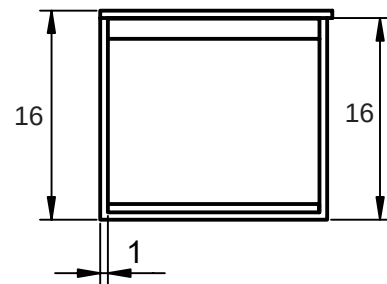
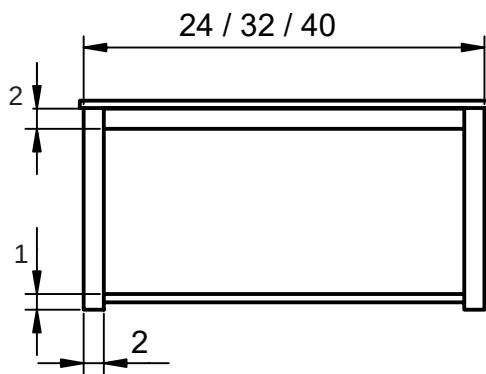
24-30-40



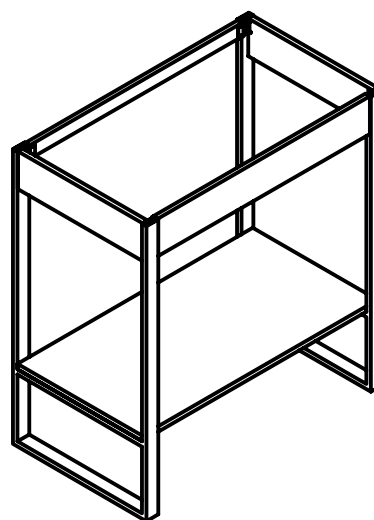
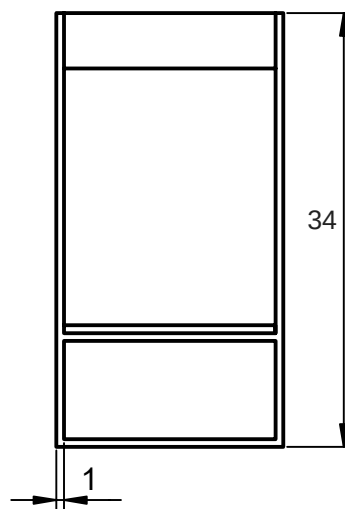
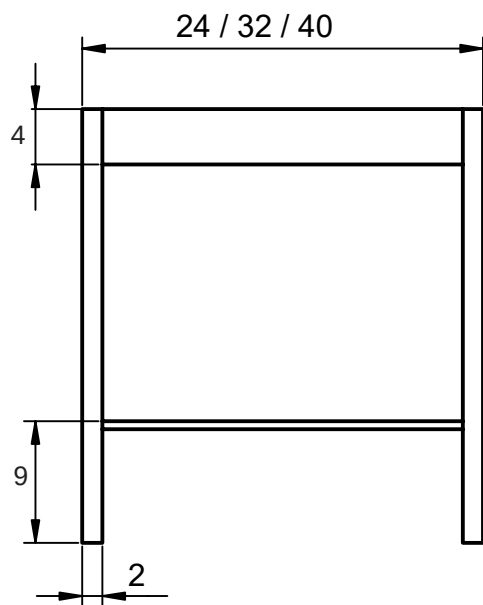
Wall hang structure for integrated basin



Wall hang structure for vessel basin



Floor standing structure for integrated basin



Floor standing structure for vessel basin

