

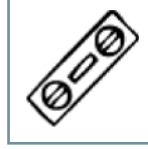
QUADRO fitting instructions

Please read the instructions and warnings carefully before installing the product and ensure this document is kept with the product for future reference to ensure product longevity and in the interest of safety.

- This product is intended for domestic use only.
- Not for use in saunas, steam rooms.
- It is recommended that this product is installed by 2 people who are able to meet the level of competence required in order to comply with relevant regulations.
- This product is designed for installation into a brick or masonry block wall. If mounting onto other substrate, ensure appropriate fixing and batons are used (if required) and the load bearing of the wall is sufficient.
- When drilling use appropriate eye protection.
- Take care when using power tools near water - the use of a residual current device (RCD) is advised.
- Beware of hidden cables or pipes. Take care if drilling on tiled surfaces in case the drill slips.
- Do not overload shelves or unit.
- Do not sit or stand on the unit.
- Ensure that excessive standing and surface water is removed from the product to avoid long term damage and spoiling.



Screwdriver



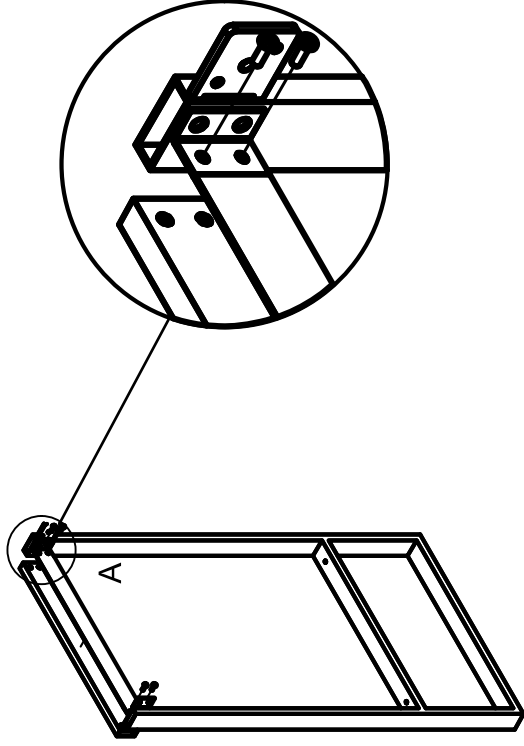
Spirit Level



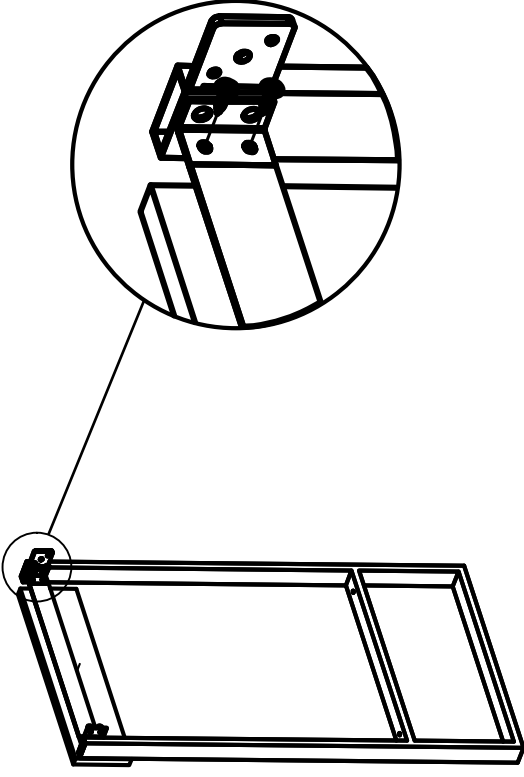
Drill

QUADRO fitting instructions

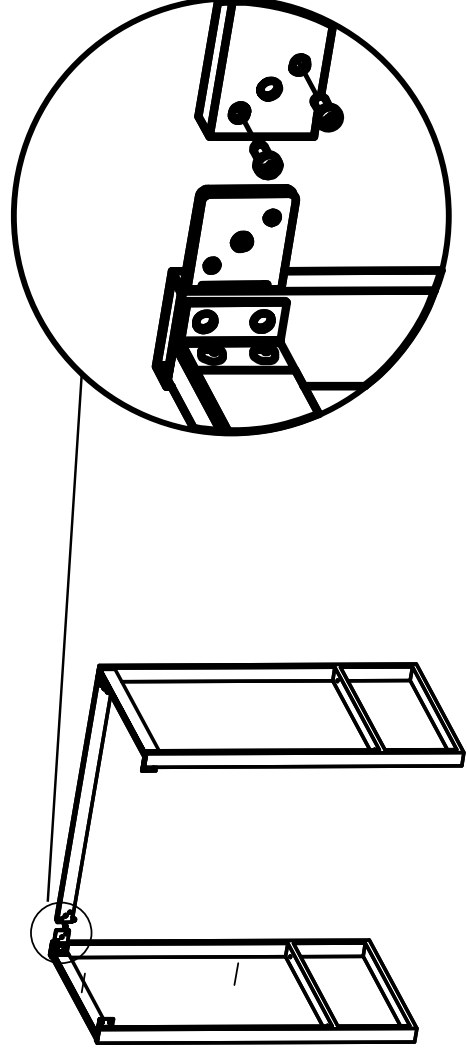
1a. Tighten the metal rail into the plate



1b. Tighten the wooden rail into the plate

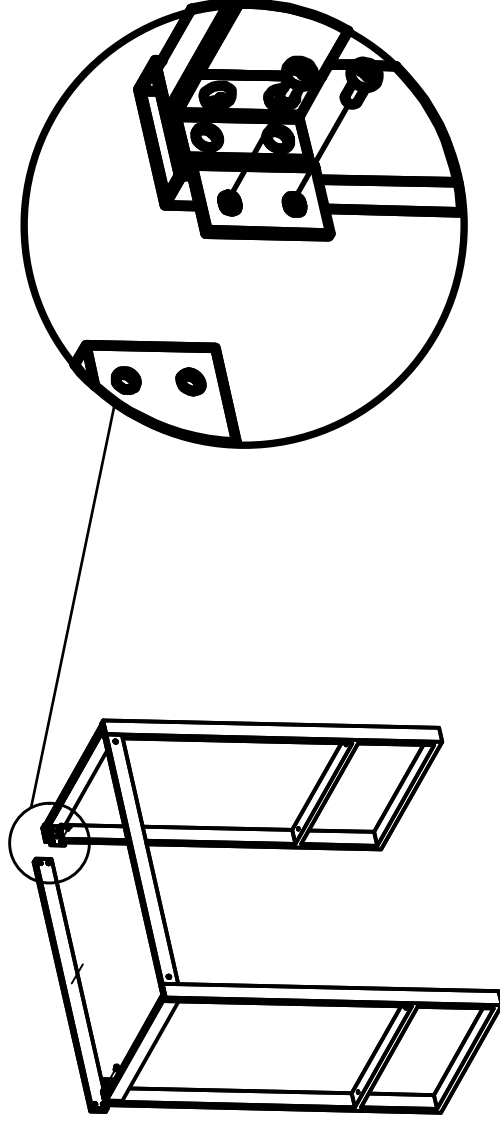


2. Fit the back rail into the plate and screw as showed.
The central hole is to have the unit fixed onto the wall.

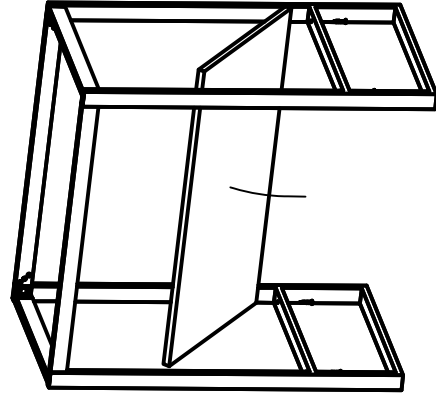


QUADRO fitting instructions

3. Screw the front rail into the plate



4. Place the lower shelf



5. Screw the lower shelf

